

Construction

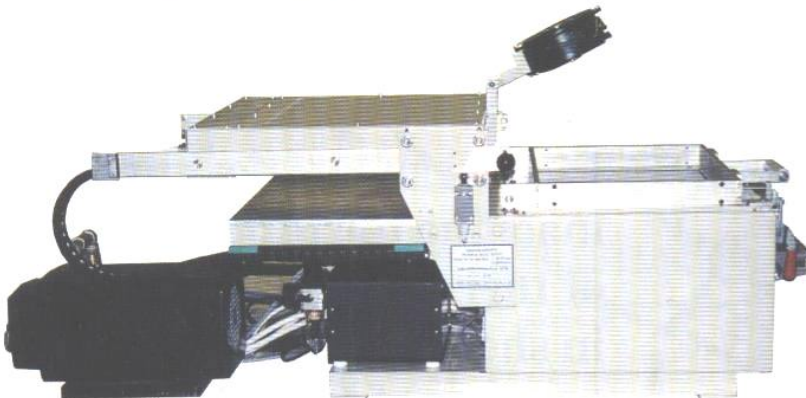
The **vacuum forming machine series "Mini"** is a small manually operated universal machine. In its **basic equipment** the machine enables processing of any thermo plastic material in sheet and foil form up to a size of 600 x 600 mm and 5 mm thickness.

As standard, the construction concept offers three types:

- M 1 : manually operated table top unit, with a max. draw depth of 100 mm
- M 2 : manually operated free standing unit, with a max. draw depth of 250 mm
- M 3 : fully automatic unit

Standard equipment

- compact machine **housing** from 3 mm thick welded steel
- manually moved **top heater** with Geiss-quartz elements
- setting of heater field by switching element groups on or off
- adjustable heating time
- pneumatical **lift movement** of the tool table
- tilting **clamp frame** with clamp elements with easy closing mechanism. Spring - adjusted hinges for different material thickness
- **control panel** with switches for the following functions:
pre-blow, support air, cooling, release and table lift
- **fan cooling** via blowing fan
- complete **vacuum system**

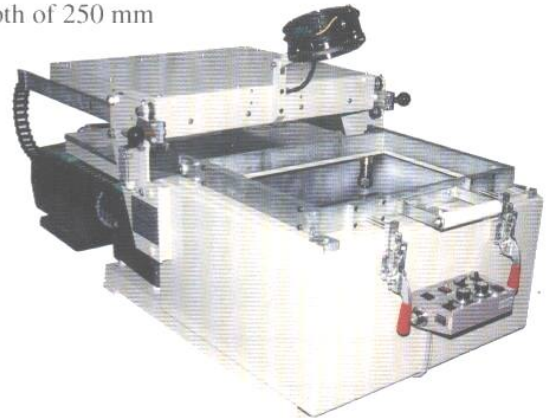


Optional equipment

of the types M1 and M2 increases the productivity of the vacuum forming machine. In that way individual operation steps can be linked up to fully automatic processing:

- **adjustable clamp frame** and **adjustable window plate**
- digital **radiation pyrometer** for temperature control
- control of each individual heater element
- setting of pre-blow time, vacuum time, cooling time, etc.
- **microprocessor control** with storage possibility, part process control and data evaluation
- **floor stand** for type M1
- **roll feed** equipment

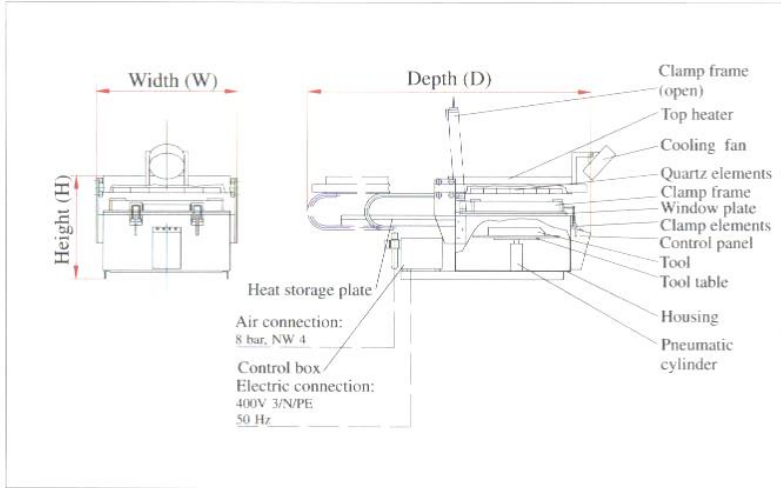
Further additional equipment, including safety functions, is available. For further information, please refer to our quotations.



Features

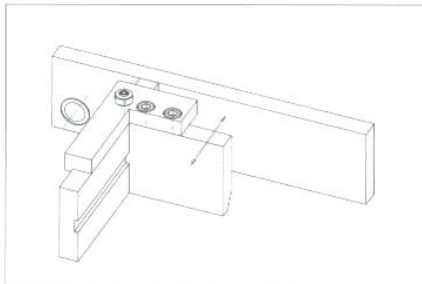
- parametric designed construction allows any forming size within the maximum size
- compact housing offers more functions
- user-friendly control unit
- setting of heater elements allows control of heater field
- high-quality vacuum pump as basic equipment
- possibility to increase the standard machine right up to a fully automatic unit by adding optional equipment

Details

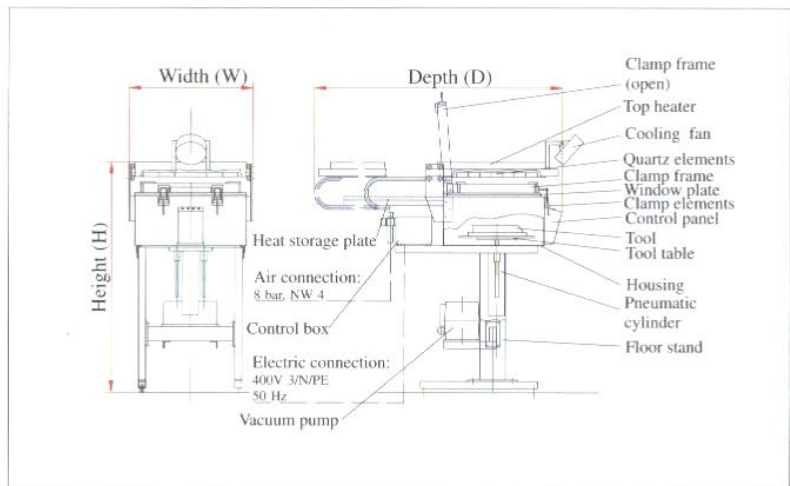


Geiss-quartz elements

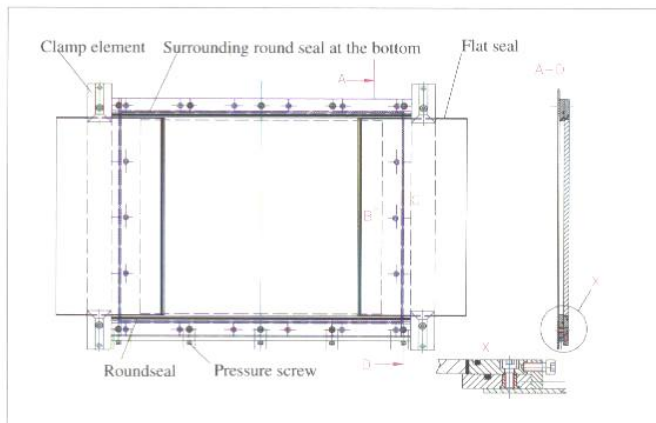
Type M 1



Adjustable clamp frame



Type M 2



Adjustable window plate with selectable aperture